



# Detector Base

DZ03

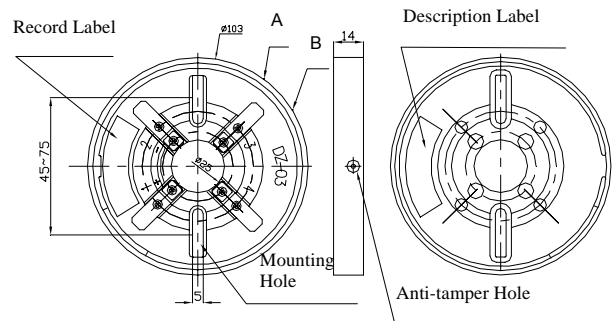
## Description

DZ-03 Base is used to mount conventional and intelligent smoke, heat and combination detectors as their conductive base. It's made of flame-resistant plastic ABS, which is a UL94 listed material. It features attractive appearance, novel structure and stable performance. Its flame class is V-0. During installation, you can easily fix the base before connecting cables, and then twist the detector onto the base.

## Technical Specifications

- According to Standard: UL268 and LPCB, GB4715-93
- Wiring: Polarized two-wire with power cable.
- Operating Environment:  
Temperature: -10 °C +50 °C  
Relative Humidity ≤95% no condensation
- Dimension: Diameter; 103mm Height; 14mm
- Material and Color: ABS, ivory white
- Flame Class: V-0
- Weight: About 54g
- Mounting Hole Distance: 45mm to 75mm

## Diagram



## Wiring and Connection

Refer to installation detectors manual.

## Ordering Information



**Part Number:** DZ03  
**Description:** GST Standard Base  
**Weight / Kg.:** 0.059  
**Pack Qty. per Box:** 100

MANUFACTURED IN ACCORDANCE WITH

