



Addressable Zone Monitor Unit

I-9319

Description

I-9319 intelligent zone monitor unit is an addressable interface module, which will integrate conventional detectors or conventional manual call points to addressable system. When any of the connected devices alarms are active, the unit can send the alarm message to fire alarm controller, which generates alarm signal and displays its address. The unit can match with the conventional optical smoke detector, conventional rate of rise and fixed temperature detector and conventional manual call point etc. It has the function of checking short or open circuit of the output connection, by the End of Line Resistor (EOLR) or Active End of Line unit (AEOL recommended). The fault message includes open circuit, short circuit or any removal of the detectors.

Electronic addressing can be done through Handheld Programming tool (P-9910), purchased separately.

Features and Benefits

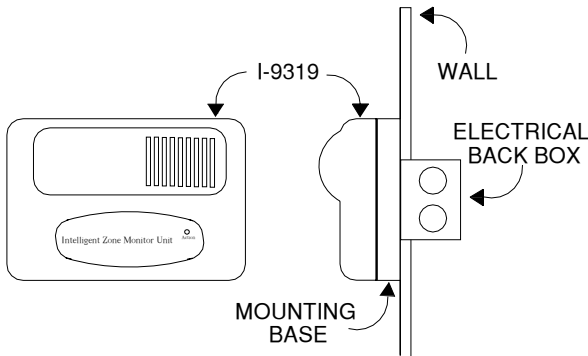
- Interface with conventional fire non-addressable unit
- Secure and speedy communication
- Monitored cable
- Electronically addressed
- LED status indicator
- Ideal for integrating Sprinkler Zone Valve and Flow Switches

Technical Specifications

- Protection rating: IP 30
- Application: Zone input
- Capability: 15 conventional detector (AEOL)
- End of Line: 4.7KΩ or AEOL
- Operating Current:
Loop: Standby=0.5mA; Alarm=10mA
PSU: Standby=5mA; Alarm=60mA
- Operating Voltage:
Loop: 24V (16V~28V)
PSU: 24VDC (20VDC~28VDC)
- Operating temp: -10°C to +50°C
- Relative humidity: 95%
- Addressing: 1 to 242 using P-9910B
- Application: Indoor use
- Visual Indicator: LED, steady red when in alarm state, 3 sec interval blinking at normal state; Yellow (fault)
- Material and colour: ABS, off-white
- Wiring: 6 wires: 2 wire for loop (non-polarized) ; 2 wire for power cable(non-polarized) ; 2 wire for output/input
- Dimensions: 120mmx80mmx39mm

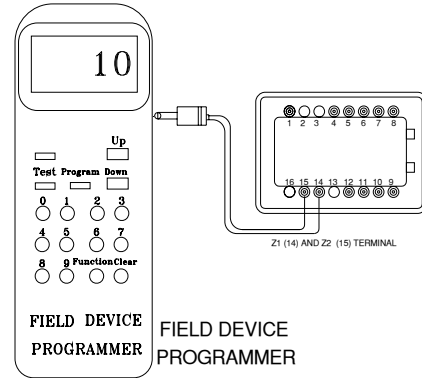
Mounting Module Base

The module should be installed in compliance with all local codes, BS5389, and EN45. It is installed onto a standard one gang electrical box with a mounting hole that have 6.5cm spacing.



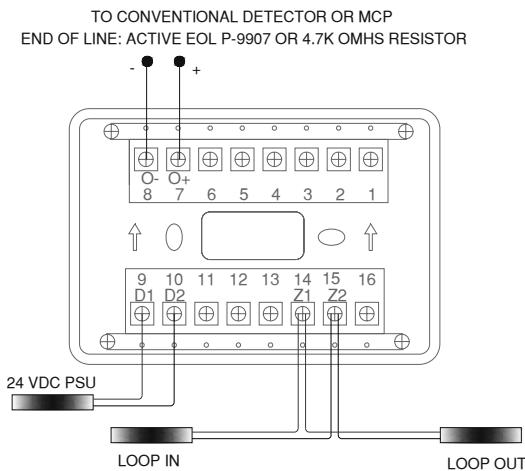
Programming

The address and setting of the flashing beacon can be programmed using GST handheld programmer (P-9910), purchased separately. Connect the two wires of the handheld programmer to terminals 13 and 14 of the device. See Addressable Flashing Beacon manual for more programming information.



Wiring and Connection

Connect the wires to the required terminal according to the wiring diagram. The terminal 13 (Z1), 14 (Z2) is for addressable Loop, non-polarized. The cable must be fire rated type and the size depends on the wiring distance. Minimum recommended size gauge is 1.0mm².



Selection of Compatible Control Panels

Compatible with all GST Intelligent Fire Alarm Panels GST200-2, GST5000, GSTIFP8.

Ordering Information



Part Number: I-9319
Description: Addressable Zone Monitor Unit
Weight / Kg.: .180
Pack Qty. per Box: 80

